

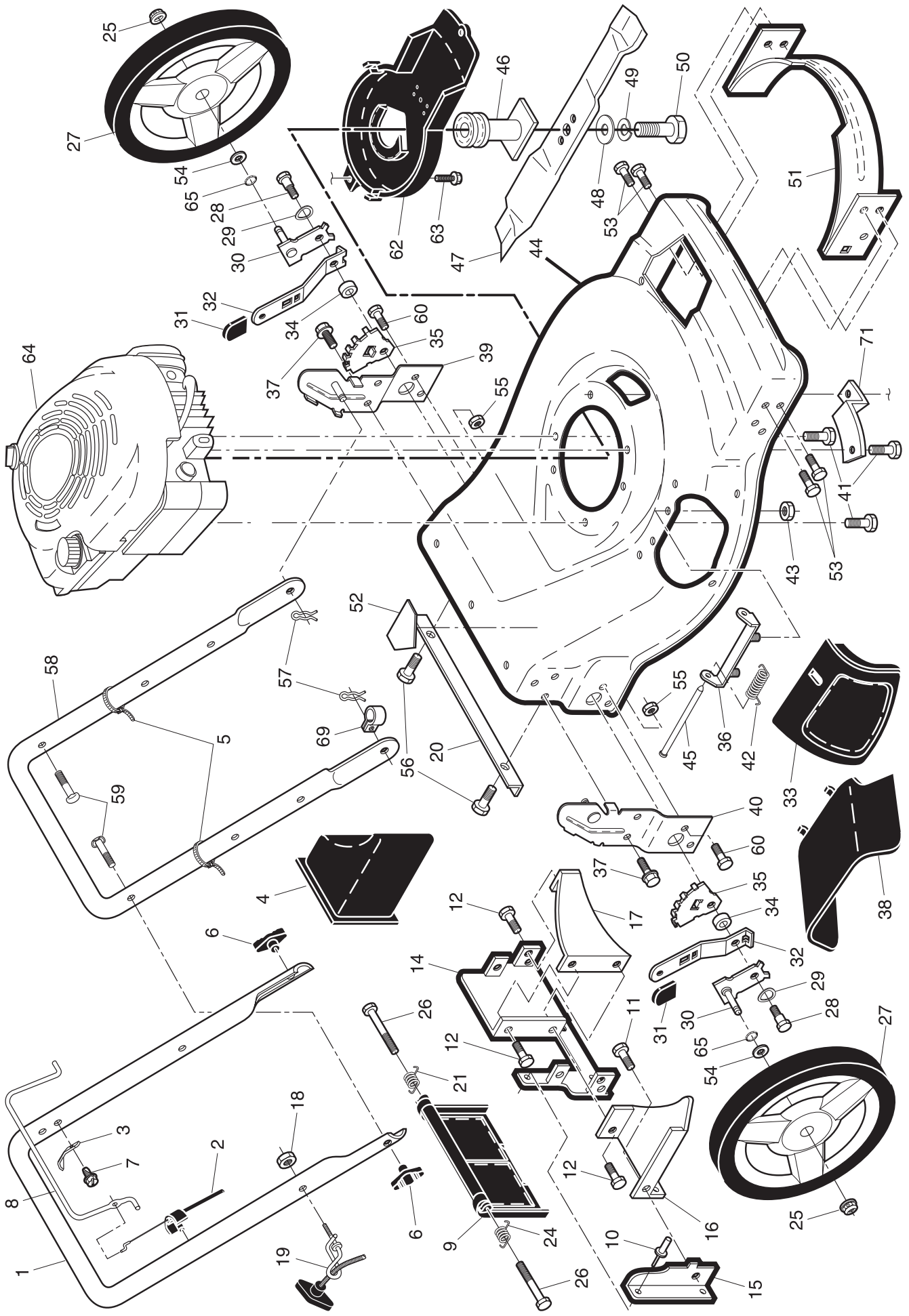
**ILLUSTRATED PARTS LIST**

**MODEL NUMBER PM6556D**

**PRODUCT NUMBER 961 41 01-16**

**MFG. ID. NUMBER 96141011602**

ROTARY LAWN MOWER -- MODEL NUMBER PM6556D (96141011602) - PRODUCT NUMBER 961 41 01-16



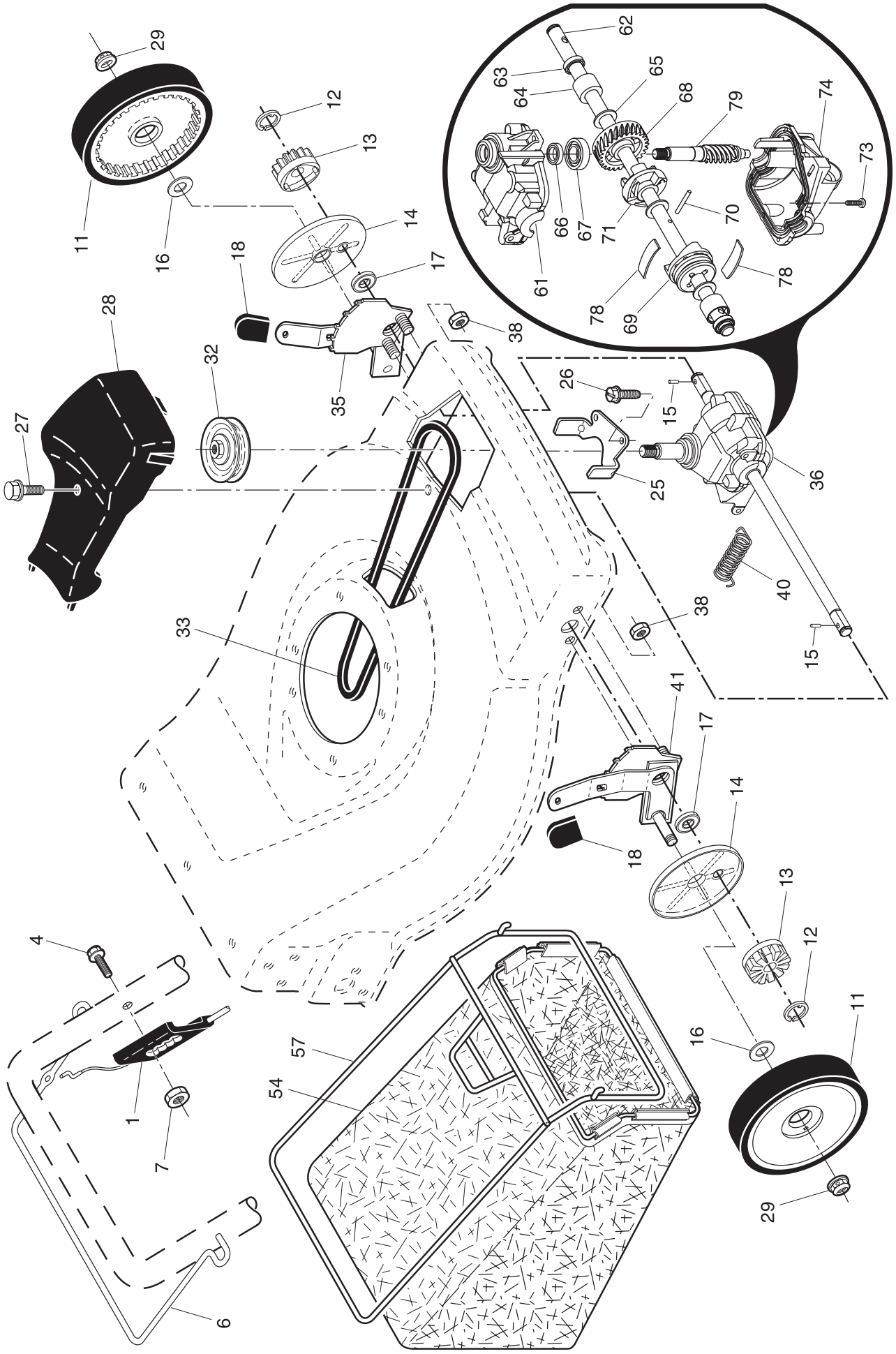
**ROTARY LAWN MOWER - - MODEL NUMBER PM6556D (96141011602) - PRODUCT NUMBER 961 41 01-16**

KEY NO.	PART NO.	DESCRIPTION	KEY NO.	PART NO.	DESCRIPTION
1	<b>532 40 32-98</b>	Upper Handle	39	532 19 71-50	Handle Bracket Assembly, LH
2	532 18 35-67	Engine Zone Control Cable	40	532 19 71-51	Handle Bracket Assembly, RH
3	532 12 51-62	Bracket, Upstop	41	532 15 04-06	Bolt, Engine
4	532 16 66-49	Mulcher Plug	42	532 19 30-00	Spring, Torsion
5	532 06 64-26	Wire Tie	43	873 80 04-00	Nut, Hex, Nylock
6	<b>532 19 19-38</b>	Handle Knob	44	<b>532 41 25-51</b>	Kit, Lawn Mower Housing (Includes Key Numbers 14, 15 and 51)
7	532 75 06-34	Screw	45	532 17 56-50	Rod, Hinge
8	<b>532 19 84-64</b>	Control Bar	46	532 19 40-37	Blade Adapter / Pulley
9	532 40 84-92	Rear Door Assembly	47	<b>532 19 93-79</b>	Blade, 22"
10	532 12 84-15	Pop Rivet	48	532 85 10-74	Washer, Hardened
11	532 15 00-50	Screw, Self-Tapping #10-24 x 5/8	49	532 85 02-63	Washer, Helical
12	532 05 45-83	Screw, Hex Hex Head, Sems 1/4-20 x 1/2	50	532 85 10-84	Screw, Machine, Hex Head 3/8
14	<b>532 19 86-45</b>	Back Plate	51	<b>532 17 04-91</b>	Front Baffle
15	532 41 13-34	Side Baffle	52	<b>532 18 21-66</b>	Danger Decal
16	532 17 71-33	Discharge Baffle	53	817 60 04-06	Screw
17	532 14 89-41	Rear Baffle	54	532 08 83-48	Washer
18	532 13 20-04	Keys Locknut 1/4-20	55	532 75 15-92	Locknut, Hex 3/8-16
19	532 19 47-88	Rope Guide	56	<b>532 14 66-94</b>	Screw, Hinge 1/4-20 x 1-1/4
20	<b>532 14 76-25</b>	Foot Guard	57	532 05 17-93	Hairpin Cotter
21	532 40 54-21	Spring, Rear Door, LH	58	<b>532 15 50-44</b>	Lower Handle
24	532 40 54-23	Spring, Rear Door, RH	59	532 19 15-74	Handle Bolt
25	<b>532 40 91-49</b>	Nut, Hex, Flanged	60	874 76 06-12	Bolt
26	532 18 41-93	Bolt, Rear Door	62	532 40 58-42	Debris Shield
27	<b>532 40 25-95</b>	Wheel, Rear	63	532 19 23-25	Screw, Debris Shield
28	532 14 27-48	Bolt, Shoulder 3/8-16 x 1	64	- - -	Engine, Briggs & Stratton, Model Number 124K02 (Order parts from Engine manufacturer)
29	532 40 16-30	Washer, Curved, Cylindrical	65	532 19 74-80	O-Ring
30	532 40 65-82	Axle Arm Assembly	69	532 19 79-91	Clip, Cable
31	<b>532 70 10-37</b>	Selector Knob	71	532 19 09-39	Mounting Bracket, Debris Shield
32	532 40 98-89	Selector Spring	- -	<b>532 18 21-91</b>	Warning Decal (not shown)
33	<b>532 19 60-53</b>	Mulcher Door	- -	<b>532 41 28-96</b>	Operator's Manual, Euro
34	532 40 16-29	Spacer	- -	<b>532 41 28-99</b>	Operator's Manual, Scan
35	532 41 06-26	Wheel Adjusting Bracket	- -	<b>532 41 28-98</b>	Operator's Manual, E-Bloc
36	532 17 57-35	Hinge Bracket Assembly	- -	<b>532 41 28-97</b>	Operator's Manual, Baltic
37	532 15 00-78	Screw, Sems, Thread Cutting 5/16-18 x 3/4			
38	<b>532 40 30-73</b>	Discharge Deflector			

**NOTE:** All component dimensions given in U.S. inches. 1 inch = 25.4 mm

**IMPORTANT:** Use only Original Equipment Manufacturer (O.E.M.) replacement parts. Failure to do so could be hazardous, damage your lawn mower and void your warranty.

ROTARY LAWN MOWER -- MODEL NUMBER PM6556D (96141011602) - PRODUCT NUMBER 961 41 01-16



**ROTARY LAWN MOWER - - MODEL NUMBER PM6556D (96141011602) - PRODUCT NUMBER 961 41 01-16**

KEY NO.	PART NO.	DESCRIPTION	KEY NO.	PART NO.	DESCRIPTION
1	<b>532 40 78-16</b>	Drive Control VS.	38	873 80 04-00	Locknut, Hex 1/4-20
4	<b>532 19 96-87</b>	Screw	40	532 40 65-58	Spring
6	<b>532 19 84-53</b>	Bail, Drive	41	532 40 88-61	Kit, Wheel Adjuster, RH (Includes Knob and Bearing)
7	<b>532 19 17-30</b>	Nut	54	<b>532 41 06-87</b>	Grassbag Assembly
11	<b>532 40 25-67</b>	Wheel & Tire Assembly	57	532 40 74-54	Frame, Grassbag
12	812 00 00-58	E-Ring	61	532 41 07-26	Case, Upper
13	532 40 38-49	Gear, Pinion	62	532 41 07-28	Shaft, Output
14	532 18 94-03	Dust Cover	63	532 18 35-08	Seal, Output Shaft
15	532 19 10-17	Drive Pawl	64	532 18 35-11	Bushing
16	532 06 77-25	Washer, Flat 3/8	65	532 18 35-09	Washer
17	532 19 10-39	Bearing, Wheel Adjuster	66	532 18 35-14	Seal, Worm Shaft
18	532 70 10-37	Selector Knob	67	532 18 35-06	Bearing, Ball
25	532 41 16-63	Belt Keeper	68	532 41 07-29	Gear, 28 Teeth
26	532 16 34-09	Screw, Hi-Lo Thread #12 x 5/8	69	532 41 07-32	Fixed Dog Clutch
27	532 17 52-62	Pan Head Tapping Screw #10-24 x 2-3/4	70	532 41 07-33	Pin
28	<b>532 19 60-56</b>	Drive Cover	71	532 41 07-30	Movable Dog Clutch
29	532 40 91-48	Locknut, Hex	73	532 18 35-13	Screw, Case
32	532 19 40-18	Drive Pulley	74	532 41 07-34	Case, Lower
33	532 19 68-57	V-Belt	78	532 41 07-31	Spring, Leaf
35	532 40 88-62	Kit, Wheel Adjuster, LH (Includes Knob and Bearing)	79	532 41 07-27	Shaft, Worm
36	532 40 48-34	Gear Case Assembly, Complete			

**NOTE:** All component dimensions given in U.S. inches. 1 inch = 25.4 mm

**IMPORTANT:** Use only Original Equipment Manufacturer (O.E.M.) replacement parts. Failure to do so could be hazardous, damage your lawn mower and void your warranty.